



Ver condiciones en política comercial
See conditions in sales policy



188750 LAVABO MINTONS

GARNET

0mm 34x34x13 cm./13.4x13.4x5.1in. •
E250

Información Técnica / Technical Information

Feature	Standard	Result
APTITUD PARA LA LIMPIEZA / APTITUDE FOR CLEANINGNESS	EN-14688	CUMPLE / PASSED
RESISTENCIA A LA CARGA / LOAD TEST	EN-14688	CUMPLE / PASSED
PROTECCIÓN CONTRA EL DESBORDAMIENTO / PROTECTION AGAINST OVERFLOW	EN-14688	CUMPLE / PASSED
DURABILIDAD /DURABILITY	EN-14688	CUMPLE / PASSED

WASHBASIN

INSTALLING THE WASHBASIN

General

The washbasins sold by DUNE are decorative. The only fixing point required to secure the washbasin to the surface on which it rests is the drain valve.

The drain valve should not be overtightened when installing the washbasin. If it is too tight, it could lead to cracks appearing in the washbasin.

Glass

In the case of glass washbasins, you should not use adhesives or silicone to fix them to the base, as this may lead to the back guard breaking due to the adhesive shrinking, which would affect the finish on the visible side. DUNE will not accept any complaints about stains appearing near to the drainage area if adhesives have been used to fix the washbasin to its base.



Glass washbasins should always be handled on a level surface, and avoid subjecting them to bumps and scratches, as breaking the washbasin's back guard would affect the finish on the visible side. DUNE will not accept any complaints about problems with the finish caused by improper handling of its washbasins.

Stone

The shading of models made from stone may vary as they are manufactured using a natural product composed of veins of varying colours. This should be considered an inherent characteristic of the material which gives each washbasin a unique finish. DUNE will not accept any complaints about shading differences in stone washbasins.

Cement

As they are highly rigid, cement washbasins may crack due to rough handling, bumps or high pressure in the installation of the drain valve. Handle these products with care.

CLEANING THE WASHBASIN

It is recommended to use water, neutral soap and a soft cloth for daily cleaning. To prevent limescale stains, we recommend drying the washbasin after use.

Ceramic

These should be cleaned regularly with suitable cleaning products and rinsed with water. Do not use abrasive products to clean them, to avoid scratching the surface of the washbasin.

Repeatedly pouring away high-temperature liquids leads to stresses in the material, which may result in cracks forming to relieve the stresses. To avoid this phenomenon, DUNE advises against pouring high-temperature liquids into the washbasin or to do so gradually.

Stone

We recommend always using pH neutral cleaning products. Cleaning products with an acidic/basic pH may alter the colouring of the washbasin.

Metal

We recommend using soap and water or pH neutral products for cleaning. Do not use abrasive products to clean them, to avoid scratching the surface of the washbasin. Cleaning products with an acidic/basic pH may alter the colouring of the washbasin.

Cement

Do not pour products with a very high temperature into the washbasin, to prevent cracks from forming.

Repeatedly pouring away high-temperature liquids leads to stresses in the material, which may result in cracks forming to relieve the stresses. To avoid this phenomenon, DUNE advises against pouring high-temperature liquids into the washbasin or to do so gradually.

PVD (gold/silver finish)

We recommend using soap and water or pH neutral products for cleaning. Do not use abrasive products to clean them, to avoid scratching the surface of the washbasin. Cleaning products with an acidic/basic pH may alter the colouring of the washbasin.

MAINTENANCE AND PROTECTION OF STONE BASINS

Natural stone basins need to be protected before installation to prevent stains. DUNE recommends using FILA products:

-FilaFob to protect while maintaining the natural color of the stone.

-FilaStone Plus to protect and enhance the stone's color.

The frequency of reapplying protection depends on the type of stone, its use, and finish. You can test its effectiveness by placing a drop of water on the surface, leaving it for 15 minutes, and checking if the drop darkens the material. If it does, the stone is not well protected and needs another layer of sealant.

Maintaining stone is a simple but essential step in its care. Generally, the best cleaning product for natural stone is water. To prevent the buildup of limescale, minerals, and other residues or chemicals that may affect the stone's surface, rinse with clean water and dry with a soft cloth.

The surface of a basin is subjected to significant wear due to frequent use. Even with regular cleaning, halos and stains may appear from constant exposure to substances and limescale deposits caused by continuous contact with water.

For the maintenance and cleaning of natural stone basins, FILACLEANER is recommended. It is a concentrated neutral detergent that cleans without damaging the stone, making it ideal for routine maintenance. Harsh chemicals such as bleach, acid-based degreasers, ammonia, and limescale removers should always be avoided.

When dealing with stains, it is essential to identify their cause to select the appropriate cleaner. DUNE recommends:

-FILAPS87: A degreasing detergent that removes stains and acts as a stripper. It cleans and degreases, making it ideal for stone cleaning. It effectively eliminates organic stains.

-FILA SR95: A color stain remover suitable even for delicate materials like polished marble, preserving the material's shine. Effective against colored organic stains.

-FILAMARBLE RESTORER: A marble restoration kit that includes three metal pads of different grit sizes, a white polishing sponge, a shine restorer, and a nourishing cream. It is ideal for restoring small surfaces of marble, travertine, and limestone affected by acidic substances or weathering. It also removes dull spots caused by wear.

If cleaning is performed using any of these products, it is essential to dry the surface thoroughly and reapply a protective layer.

EXOTIC COUNTERTOP

The EXOTIC COUNTERTOP is made of acacia wood and comes pre-treated. To maintain the beauty and durability of the furniture, avoid using abrasive cleaning products. As an organic material, daily use and natural wear may cause slight changes in appearance over time.

It is recommended not to let water sit on the wood for extended periods to prevent stains or damage. If a stubborn stain needs to be removed, sanding the surface and applying teak oil will restore its satin finish. This hydrates the wood without sealing its pores, allowing it to breathe properly.



INSTRUCCIONES DE MONTAJE / ASSEMBLY INSTRUCTIONS
 188623 Pedestal White
 75x33x15 cm./29.5"x13"x6"

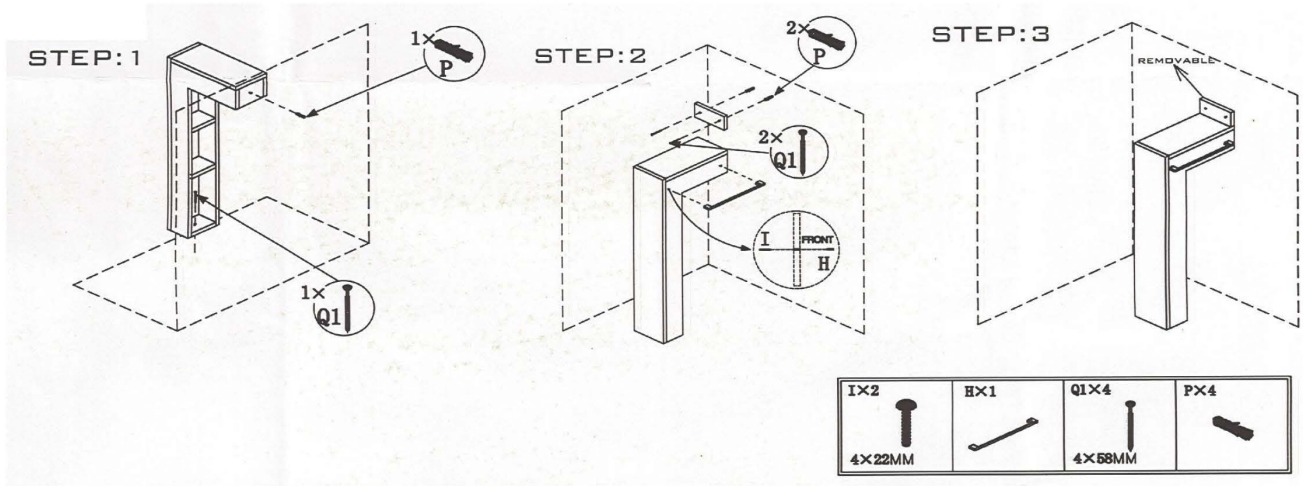
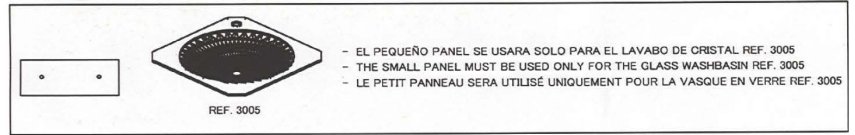


Tabla de adhesivos / Adhesives Table

	Cemento cola C1 C1 concrete glue	Cemento cola C2 C2 concrete glue	Adhesivo epoxidico Epozi adhesive
KERAKOLL	ESPECIAL ECO	H 40 ECO FLEX	SUPERFLEX ECO
MAPEI	TIXOBOND	KERAFLEX MAXI S-1	KERALASTIC T
	Mortero adhesivo látex Latex adhesive mortar		
LATICRETE	Mortar 211 + Laticrete 4237		

Productos de tratamiento / Treatment products

	Código Code	Descripción Description	Código PHP recomendado Recommended retail price
CRISTAL GLASS	185463	ANTIGLISS	D787
PIEDRA STONE	184507	CERA LIQUIDA PROTECTORA LIQUID PROTECTIVE WAX	D945
	184508	SELLADOR ANTIMANCHAS STAIN-PROF SEALER	D969

Tabla de pastas de rejuntar / Grouting pastes table

	Pasta de rejuntar cementosa Cement grouting material	Pasta de rejuntar epoxi Epoxy grouting material
KERAKOLL	FUGABELLA ECO PORCELANA	FUGALITE
MAPEI	KERACOLOR FF	KERAPOXY
LATICRETE	LATICRETE serie 1600	-

